

DIRECT ACTING PRESSURE REDUCING VALVE Model DA140

PRODUCT OVERVIEW

Singer® model DA140 is a High Capacity Globe Style Direct Acting Pressure Reducing Valve designed for installation on Potable Water lines, reducing high inlet pressures to a lower regulated outlet pressure, regardless of fluctuation in flow rate. The DA140 is a lead-free valve and it is provided with an integral strainer, to help prevent malfunction caused by debris in the system.

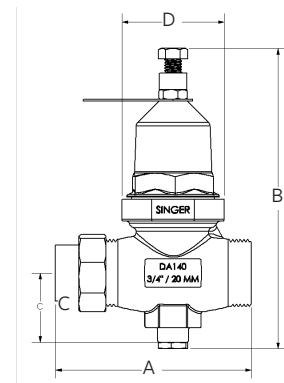
- Sizes: ½" – 2" / DN15 – DN50
- Maximum Working Pressure: 400psig (27.6barg)
- Spring Range: 15-75psig (1-5.15barg) 15-150psig(1-10.4barg)
- Maximum Working Water Temperature: 180°F (82°C)
- NPT ANSI B 1.20.1 / BSPT BS 21 Threaded Connection
- Available with BSPT threads (optional)
- May be installed in any position
- Serviceable in-line
- ASSE listed 1003, IAPMO listed CUPC certificate, Non-Toxic NSF61, Lead Free NSF372 (in process)

*2" option coming soon

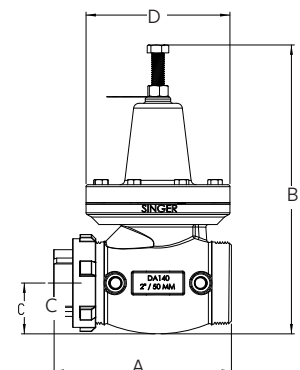
DIMENSIONS

SIZE	CONNECTIONS	A		B		C		D		WEIGHT	
		IN.	MM	IN.	MM	IN.	MM	IN.	MM	LBS.	KG.
½" / DN15	Single Union	4.38	111	6.71	170	1.69	43	2.28	58	2.13	1.0
½" / DN15	Without Union	3.5	89	6.71	170	1.69	43	2.28	58	1.87	0.8
¾" / DN20	Single Union	4.38	111	6.71	170	1.69	43	2.28	58	2.02	0.9
¾" / DN20	Without Union	3.5	89	6.71	170	1.69	43	2.28	58	1.78	0.8
1" / DN25	Single Union	4.92	125	8.18	208	1.59	40	2.94	75	3.64	1.7
1" / DN25	Without Union	4	102	8.18	208	1.59	40	2.94	75	3.27	1.5
1¼" / DN32	Single Union	7.03	179	11.28	287	1.87	47	5.69	145	14.9	6.8
1¼" / DN32	Without Union	5.8	147	11.28	287	1.87	47	5.69	145	14.1	6.4
1½" / DN40	Single Union	7.03	179	11.28	287	1.87	47	5.69	145	15.9	7.2
1½" / DN40	Without Union	5.8	147	11.28	287	1.87	47	5.69	145	14.6	6.6
2" / DN50	Single Union	7.03	179	11.42	290	2.01	51	5.69	145	16.6	7.5
2" / DN50	Without Union	5.8	147	11.42	290	2.01	51	5.69	145	15.4	7.0

NOTE: SINGER will not accept responsibility for potential errors in this brochure or other printed material. SINGER reserves the right to modify its products without notice. All right reserved.



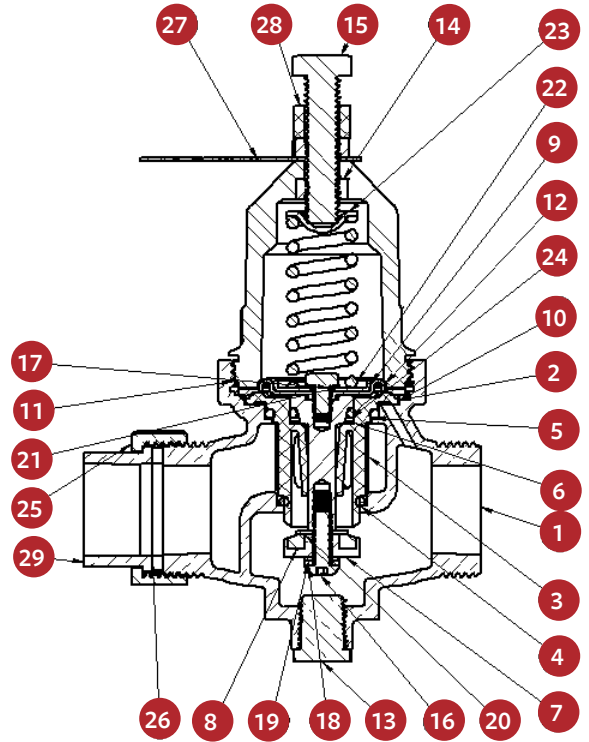
½" to 1" (DN15 - DN32)



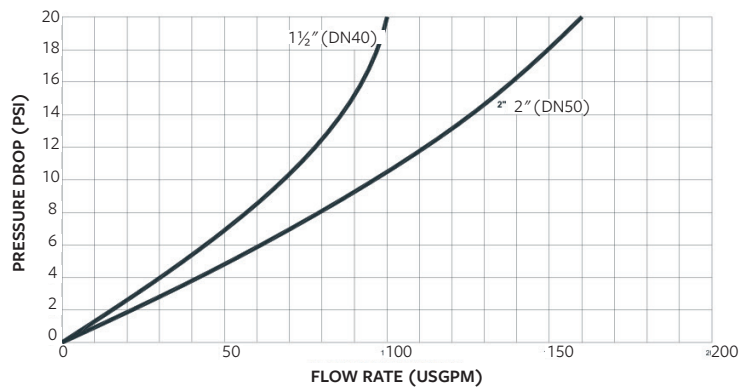
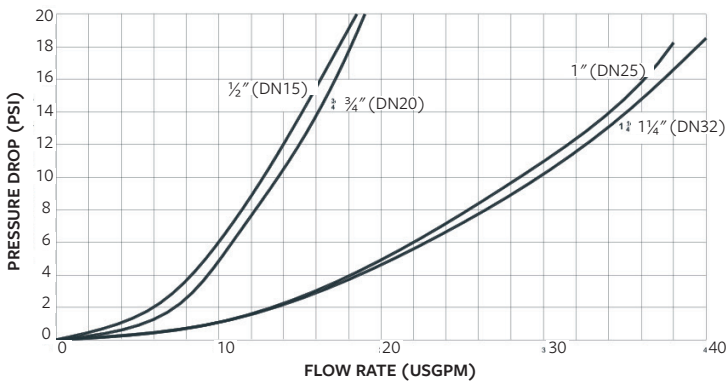
1¼" to 2" (DN40 - DN50)

PARTS LIST

ID	PART NAME	MATERIAL
1	Body	Lead Free Brass CDA C89833
2	Cartridge	Delrin
3	Screen	AISI 304 Stainless Steel
4	Seat Seal	Buna N - N1470-70
5	Body Seal	Buna N - N1470-70
6	Stem	AISI 304 Stainless Steel
7	Disc Holder	AISI 304 Stainless Steel
8	Resilient Disc	EPDM ASTM D2000
9	Diaphragm Plate	ASTIM A569 Steel
10	Diaphragm	EPDM ASTM D2000
11	Valve Cover	NORYL Resin GFN20F
12	Friction Ring	BR C3600
13	1/4" NPT Plug	BR CDA C89833
14	3/8 - 16 UNC Hex Jam Nut	Grade 2 Steel
15	Hex Bolt 3/8 - 16 x 1.625"	Grade 2 Steel
16	Disc Holder Screw	AISI 304 Stainless Steel
17	Diaphragm Plate Screw	AISI 304 Stainless Steel
18	Disc Holder Washer	AISI 304 Stainless Steel
19	Disc Holder Washer	Delrin
20	Resilient Disc Washer	AISI 304 Stainless Steel
21	Diaphragm Plate Washer	AISI 304 Stainless Steel
22	Spring	Spring Steel
23	Spring Step	ASTM A569
24	O-Ring	Buna N
25	Union Nut	BR CDA C89833 LF
26	Union Disc	Buna N
27	Tag	Al1100 Aluminum Sheet Metal
28	Bushing	ABS
29	DA140 NPT Union	BR CDA C89833 LF



PRESSURE DROP CHART



For more information about Singer or to view our full line of products, visit www.singervalve.com, call +1.833.367.6835 or call your local number:

UK: +44.1438.487410 Dubai: +971.4.214.6640 Singapore: +65.6816.3088 USA: +1 800.423.1323 International@muellerwp.com

Mueller refers to one or more of Mueller Water Products, Inc., a Delaware corporation ("MWP"), and its subsidiaries. MWP and each of its subsidiaries are legally separate and independent entities when providing products and services. MWP does not provide products or services to third parties. MWP and each of its subsidiaries are liable only for their own acts and omissions and not those of each other. MWP brands include Mueller®, Echologics®, Hydro Gate®, Hydro-Guard®, HYMAX®, Jones®, Krausz®, Mi.Net®, Milliken®, Pratt®, Pratt Industrial®, Sentryx™, Singer®, and U.S. Pipe Valve & Hydrant. Please see muellerwp.com/brands to learn more.

© 2023 Henry Pratt Company, LLC. All Rights Reserved. The trademarks, logos and service marks displayed in this document are the property of Henry Pratt Company, LLC, its affiliates or other third parties. Products above marked with a section symbol (§) are subject to patents or patent applications. For details visit www.mwppat.com.

